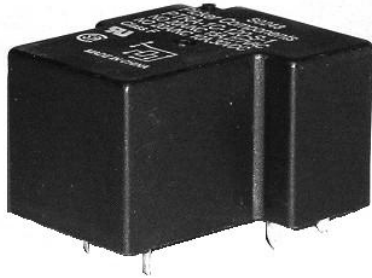


## 30 AMP Power PCB Relay With AC Coils

# PTRA



### FEATURES

- New power PCB relay with AC Coils
- Up to 40 amp switching capacity
- Up to 2 horsepower rating
- From 12 to 220 volt AC coils
- UL Class F insulation standard
- Available with UL 873 spacing
- Epoxy sealed, immersion cleanable
- Lead Free & RoHS Compliant



### UL/CSA RATINGS

Load Type	Voltage	1 Form A (SPST-NO)	1 Form B (SPST-NC)	1 Form C (SPDT)	
				NO	NC
General Purpose	240 VAC	40 A	30 A	40 A	30 A
	277 VAC	30 A	20 A	30 A	30 A
	30 VDC	40 A	30 A	40 A	30 A
Resistive ( 100,000 cycles)	240 VAC	40 A	30 A	40 A	30 A
Ballast	277 VAC	5 A	5 A	5 A	5 A
Motor ( 30,000 cycles )	250 VAC	2 HP	—	2 HP	—
	120 VAC	1 1/2 HP	—	1 1/2 HP	—
LRA/FLA (locked rotor amps/full load amps)	240 VAC	80 A/30 A	—	50 A/20 A	—
	120 VAC	98 A/22 A	—	50 A/20 A	—

### CONTACT DATA

<b>Material</b>		AgCdO (Silver Cadmium Oxide), AgSnOInO (Silver Tin Indium Oxide)
<b>Initial Contact Resistance</b>		50 milliohms max @ 0.1A, 6VDC
<b>Service Life</b>	<b>Mechanical</b>	1 X 10 <sup>7</sup> Operations
	<b>Electrical</b>	1 X 10 <sup>5</sup> Operations

### CHARACTERISTICS

<b>Operate Time</b>	20 ms. max
<b>Release Time</b>	15 ms. max
<b>Insulation Resistance</b>	1,000 megohms min, at 500 VDC, 50%RH
<b>Dielectric Strength</b>	1500 Vrms, 1 min. between open contacts
	1500 Vrms, 1 min. between coil and contacts
<b>Shock Resistance</b>	10 g, 11ms, functional; 100 g, destructive
<b>Vibration Resistance</b>	DA 1.5mm, 10-55 Hz
<b>Power Consumption</b>	0.9W, approx.
<b>Ambient Temperature Range</b>	-55 degrees C to 125 degrees C operating, -55 to 155 degrees C storage
<b>Weight</b>	30 grams approx.

PTRA Rev D 6-3-14

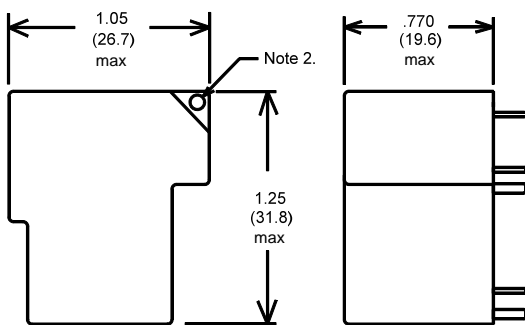
**ORDERING INFORMATION**

Example:	PTRA	-1C	-120	S	T	-X
Model						
Contact Form						
1A, 1B, or 1C						
Coil Voltage						
Configuration						
Nil: Open Frame; S: Sealed plastic case						
Contact Material						
Nil: AgCdO; T: AgSnOInO						
RoHS Compliant						
-X: RoHS Compliant						

**COIL DATA**

Coil Voltage	Resistance ohms + 10%	Must Operate Voltage Max. (VAC)	Must Release Voltage Min. (VAC)	Continuous Voltage Max. (VDC)	Rated Current (mA)	Coil Power (VA)
12	27	9	3.6	15.6	187	2
24	120	18	7.2	31.2	95	2
110	2360	82.5	33.0	143	20	2
120	3040	90	36.0	156	16.5	2
220	13490	165	66.0	286	6.4	2

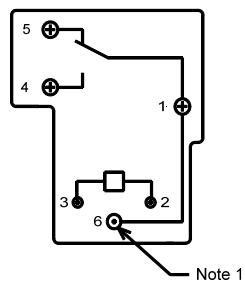
**Overall Dimensions**  
Inches (millimeters)



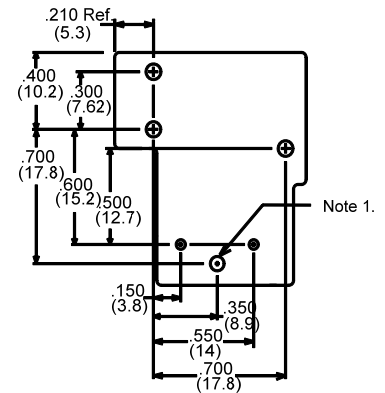
**Notes:**

1. This pin (Pin 6) omitted for PTR A version.
2. Breakable nib may be removed after flux removal.

**Schematic**



**Pin Layout**  
Bottom View



Tolerances  $\pm .010$  unless otherwise noted  
 Holes for load term.  $.081 \pm .005$  Dia. ( $2.06 \pm .13$ )  
 Holes for Coil term.  $.043 \pm .003$  Dia. ( $1.09 \pm .08$ )



3220 Commander Drive, Suite 102, Carrollton, Texas 75006

Sales: (888) 997-3933, (972) 713-6272 Fax: (972) 735-0964 email: sales@pickercomponents.com URL: pickercomponents.com

Dimensions are listed for reference purposes only.

Specifications and Availability subject to change without notice.