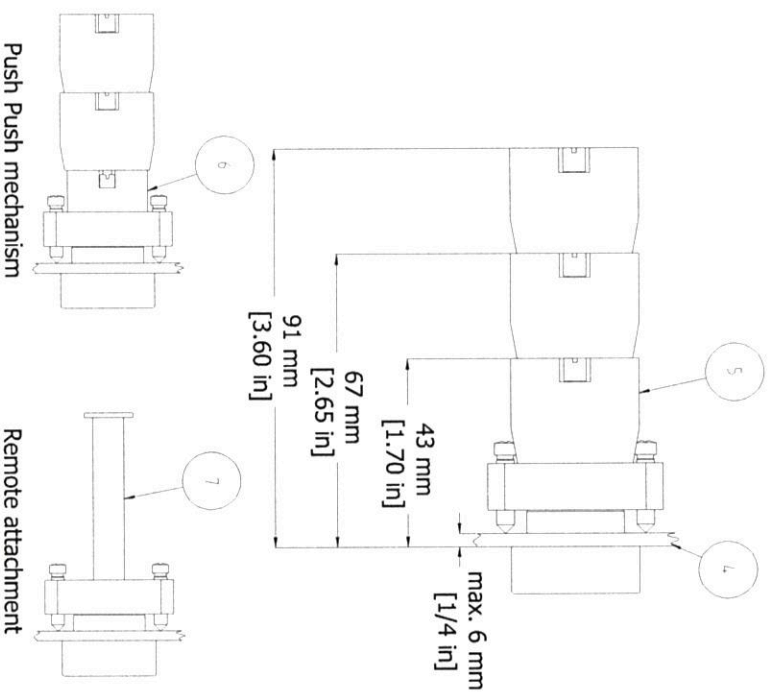
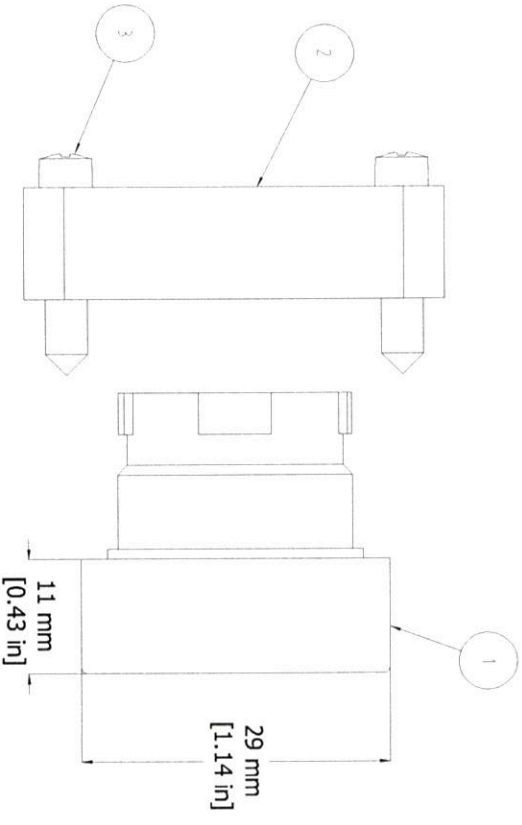
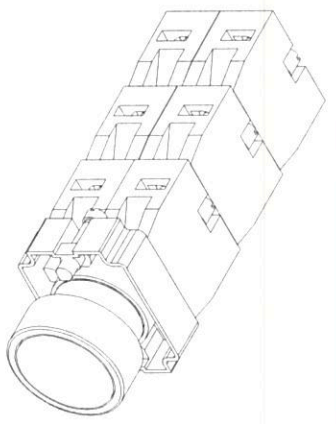


REV. CH. NO.	DESCRIPTION	DATE	REVISED BY
—	ORIGINAL DESIGN	09/12/07	Phil. E.

REVISIONS FOR DWG # 1PB-2AFX



Push Push mechanism

Remote attachment

ITEM	DESCRIPTION	CAT. NO.	COLOR	MIN. QTY.	MAX. QTY.
1	Flush Operator (comes with mounting bracket 2BRK)	2AF1 2AF2 2AF3 2AF4 2AF6 2AF8	White Black Green Red Blue Yellow	1 1 1 1 1 1	1 1 1 1 1 1
2	Mounting Bracket	2BRK	-	1	1
3	Mounting Bracket Screws	Incl. in 2BRK	-	2	2
4	Panel	-	-	-	-
5	Switch Contacts	S1	Green	1	6
		S2	Red	1	6
		S3	Green/Gray	1	6
		S4	Red/Gray	1	6
6	Maintained Action Block	2PFM	Black	1	1
7	Remote Attachment	Add Suffix "RR"	-	1	1

UNLESS OTHERWISE SPECIFIED
ALL DIMENSIONS ARE IN MILLIMETERS
THIRD ANGLE PROJECTION



TOLERANCE	±1 mm	±0.5 mm	±0.2 mm	- mm
XX	≡	≡	≡	≡
XX.X	≡	≡	≡	≡
XX.XX	≡	≡	≡	≡
ALL	≡	≡	≡	≡

This Drawing is the property of
Altech Corp.
35 Baya Road
Flemington NJ 08822-6000
(908) 806-9400 - Fax: (908) 806-9490

AND IS A CONFIDENTIAL DISCLOSURE
LENT WITHOUT CONSIDERATION OTHER
THAN THE BORROWER'S AGREEMENT
THAT IT SHALL NOT BE REPRODUCED,
COPIED, LENT, OR DISPOSED OF
DIRECTLY OR INDIRECTLY NOR USED
FOR ANY PURPOSE OTHER THAN THAT
FOR WHICH IT IS SPECIFICALLY
FURNISHED.

TITLE: 22 mm Non-Illuminated Metal Operator 2AFX	DRAWN BY: Philipp Ernstberger	DATE: 09/12/07	DRAWING NO: 1PB-2AFX	REV: —
	CHECKED BY: Lorenzo Gyorgyfalvi	DATE: 09/12/07	SCALE: —	
	RELEASED BY: Lorenzo Gyorgyfalvi	DATE: 09/12/07	SHEET: 1	OF: 1

22mm Specifications

Electrical and Mechanical Characteristics

Standard conformity:	IEC 60947-5-1
Approvals:	VDE0660 CSA - C22.2 No. 14-95 UL508 IEC 947 - 5 (1) 1990, IS 13947 ASTA UK certified as per IEC 947 - 5 - (1) 1990
Degree of protection:	IP 65 as per IEC 529 NEMA Type 4X, 12 as per UL50
Temperature Range:	- 25°C to + 70°C (-13°F to +158°F)

Contact Block

Rated insulation voltage:	500V
Rated thermal current:	10A
Contact operation:	self-wiping, slow break NO or NC
Make and break capacity as per IEC 947 - 5 - (1) 1990:	AC 15 4A, 415V AC DC 13 0.5A, 110V DC
As per CSA - C22.2 No. 14-95, UL508:	A600 Q600 (pilot Duty)
Terminal capacity:	minimum 1 x 0.5 mm ² (20 AWG) maximum 2 x 1.5 ² mm ² (2x16 AWG) or 1 x 2.5 mm ² (1x14 AWG)
Terminal marking:	1-2 for NC, 3-4 for NO
Short circuit protection:	10A cartridge fuse HRC type, rated for resistive loading
Mechanical life:	Over 1 million operations

Electric rating (for 1 million operation cycles, operation at 3600 cycles per hour, load factor 0.5)

AC 15	V	24	120	230
	A	4	3	2

DC 13	V	24	110
	A	0.5	0.2

Modules for Pilot Lights & Illuminated Switches with LED Bulbs

Current consumption (applicable to all colors)	
24 VAC/DC, 100 VAC & 240 VAC:	max. 20 mA
110 VDC:	max. 15 mA
220 VDC:	max. 10 mA
Service life (at nominal voltage and at ambient temperature of 25°C):	100,000 hours
Voltage limits (nominal voltage):	<20% of rated voltage>
Short circuit protection:	on specific request
Terminal capacity:	min. 1 x 0.5 mm ² (20 AWG), max. 2 x 1.5 mm ² (2x16 AWG) or 1 x 2.5 mm ² (1x14 AWG)