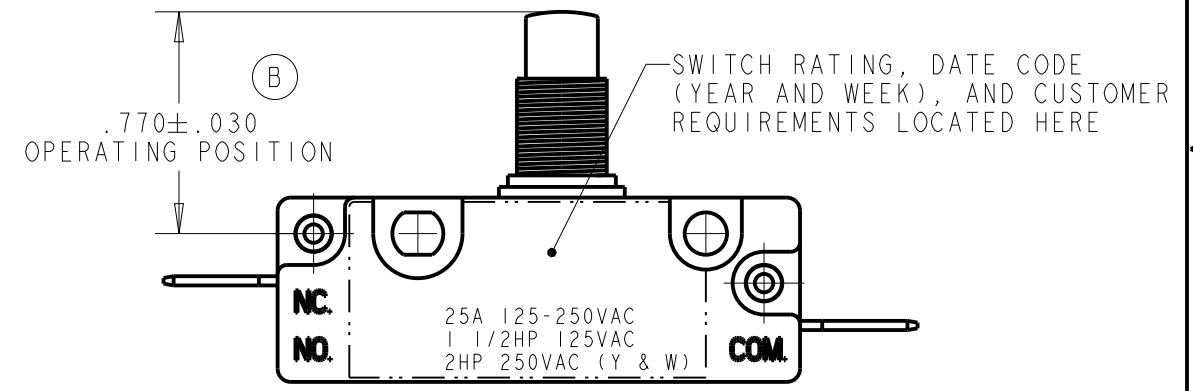
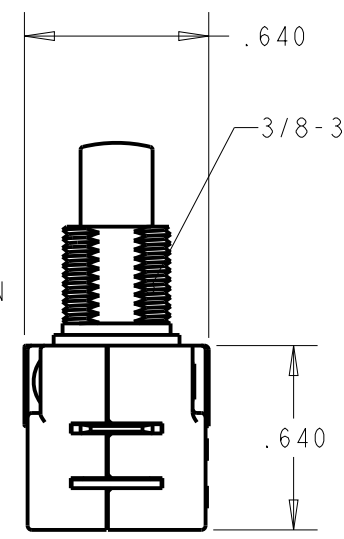
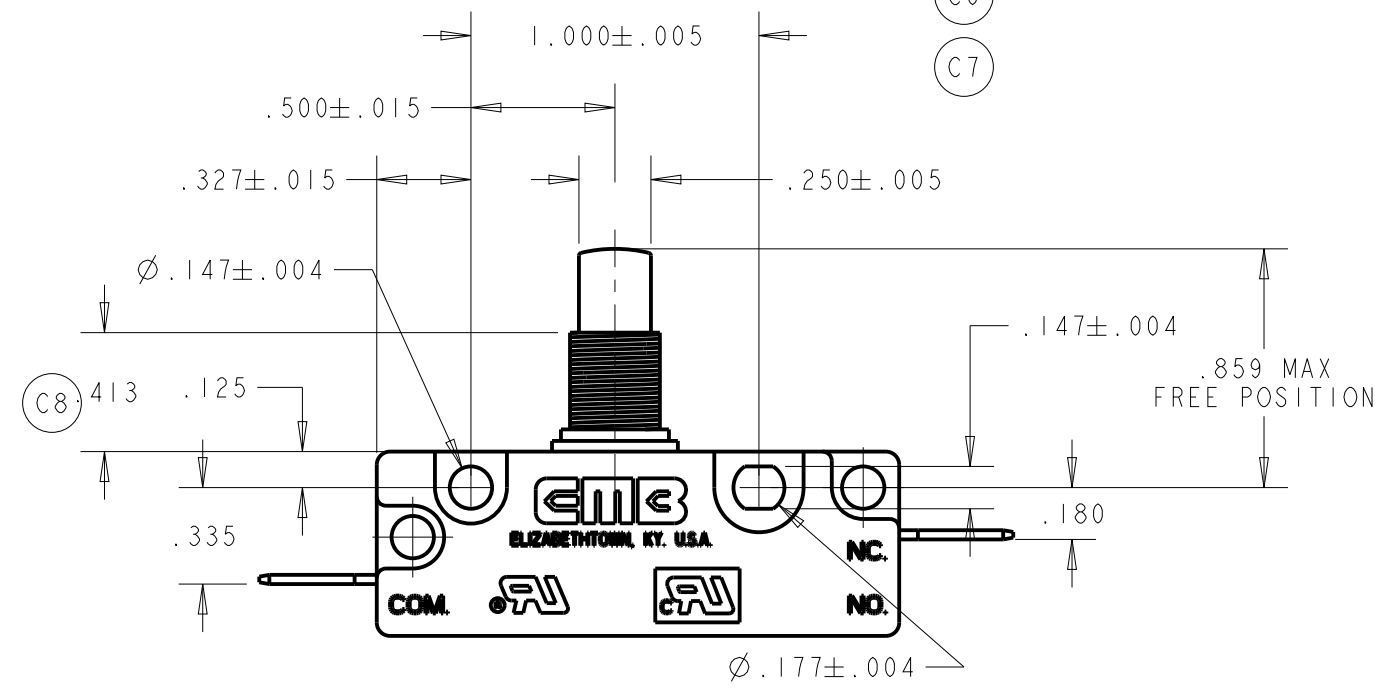
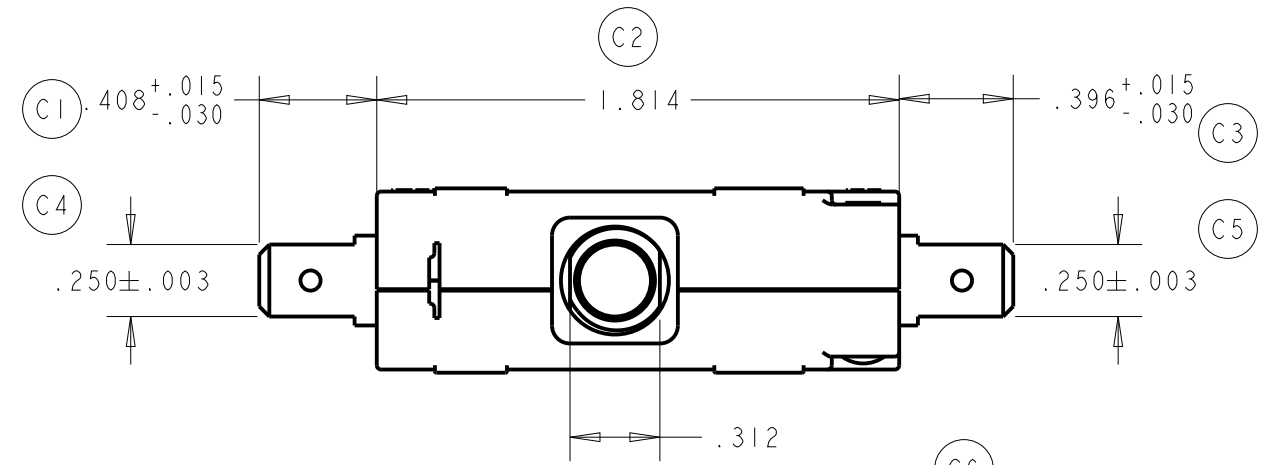


REVISIONS					
ECN	REV	DESCRIPTION	DATE	REVISED BY	APPROVED
2448	B	.770±.030 WAS .812±.030	05/31/2007	RNH	AEP
2679	C1	ADDED .408 +.015/-.030 (TOP VIEW)	08/20/2013	MPB	
	C2	1.814 WAS 1.814±.015 (TOP VIEW)			
	C3	.396 +.015/-.030 WAS .377±.015 (TOP VIEW)			
	C4	REMOVED .093±.003 (TOP VIEW)			
	C5	REMOVED .312±.005 (TOP VIEW)			
	C6	REMOVED .152±.005 (TOP VIEW)			
	C7	REMOVED .035 x 45.0° (TOP VIEW)			
	C8	.413 WAS .406±.015 (FRONT VIEW)			
	C9	ADDED PER UL 310 TO SPEC 3			



SPECIFICATIONS:

- MODEL 300 SERIES SNAP-ACTION SWITCH S.P.S.T. NORMALLY CLOSED CIRCUITRY WITH POWER LOAD SWITCHING CAPACITY - 25 AMPS 125-250 VAC, 1 1/2 HP 125 VAC, 2 HP 250 VAC  
 OPERATING FORCE - 20 OZ. MAX  
 RELEASE FORCE - 3 OZ. MIN  
 PRETRAVEL - .070 MAX  
 OVERTRAVEL - .100 MIN  
 MOVEMENT DIFFERENTIAL - .035 MAX
- SWITCH IS UL AND ULc RECOGNIZED
- TERMINALS - .032 THICK QUICK CONNECT MALE TAB PER UL 310
- 3/8-32 UNEF-2B HEX PANEL NUTS TO BE BULK PACKED 1 PER SWITCH

UNLESS OTHERWISE SPECIFIED	SIGNATURES	DATE
DIMENSIONS ARE IN INCHES TOLERANCE ON	DRAWN DKS	04/04/2007
2 PL DECIMALS ± .030	CHECKED MPB	04/04/2007
3 PL DECIMALS ± .010	APPROVED AEP	04/04/2007
ANGLES ± 3.000		
FRACTIONS ±		
NOTICE THESE DRAWINGS AND ALL SPECIFICATIONS ARE THE SOLE PROPERTY OF EMB CORP. AND SHALL NOT BE USED AS THE BASIS FOR MANUFACTURING OR SALE WITHOUT PRIOR WRITTEN PERMISSION.	▼ PROCESS CAPABILITY REQUIRED ▽ MONITORING REQUIRED CRITICAL CHARACTERISTIC CONTROL QP3 - 3.2.4	

**EMB CORPORATION**  
ELIZABETHTOWN, KENTUCKY

**GENERAL PURPOSE SNAP ACTION SWITCH**

SIZE B	DWG NO 303-9069
SCALE 1.500	FILE NO. 303-9069
SHEET 1 of 1	

DISTR TO