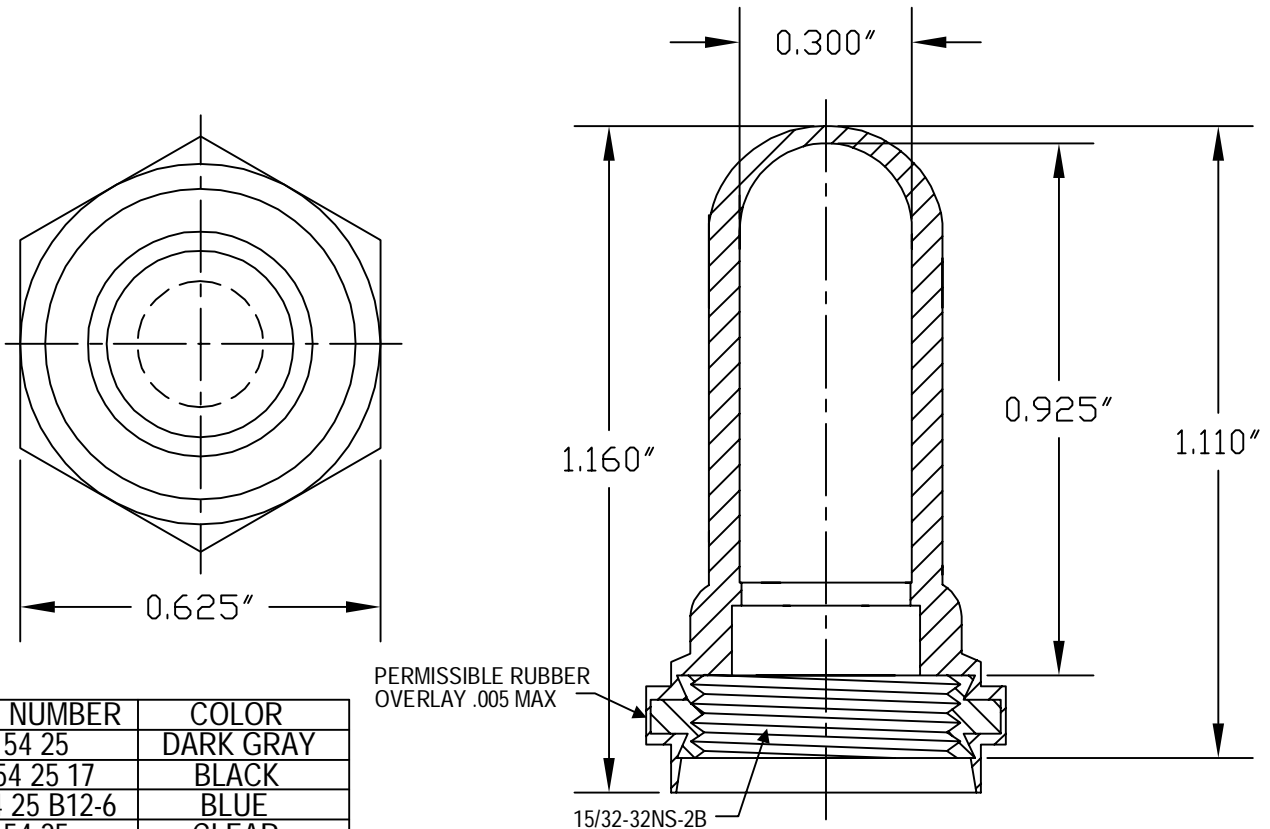


SPECIFICATIONS

Material: E-SEELS -- Silicone rubber polymer type ASTM D 1418
Mounting Nut: E-SEELS: Brass, black-oxide
Temperature Range: E-SEELS: -80°F to +400°F
Pressure Range: Exceeds 15 psi internal and 1500 psi external.
 (N5032B: 10 psi)
Operational Life: 50,000 actuations (minimum).
Shelf Life: Excess of 25 years.
Resistant to: Salt spray, sunlight, ozone, weather, fungus, and most acids and lubricating oils
Agency Recognition: E-SEELS and HEXSEALS are UL-listed to UL Std. 50 types 1-13, and meet CSA standards.
Installation: If a reducing adaptor is required - see page 14 of HEXSEAL catalog HEX200 for part numbers and drawing.



| ITEM NUMBER | COLOR |
|----------------|------------|
| 50154 25 | DARK GRAY |
| 50154 25 17 | BLACK |
| 50154 25 B12-6 | BLUE |
| 50154 25 | CLEAR |
| 50154 25 | GREEN |
| 50154 25 | ORANGE |
| 50154 25 | RED |
| 50154 25 | YELLOW |
| 50154 50 | LIGHT GREY |

| D | ADDED TO COLOR TABLE | 05-15-08 |
|---|-------------------------------------|---------------------------|
| C | CAD COMPUTER GENERATED | 7-01-04 |
| B | REDRAWN | 9-12-74 |
| REV. | DESCRIPTION | DATE |
| MAXIMUM AND MINIMUM MEASUREMENTS ARE STATED DIRECTLY ON EACH DIMENSION. | TITLE: BOOT, TOGGLE SWITCH #(50154) | ENG. M.M. 12-7-57 |
| MAT'L: SILICONE RUBBER PER ASTM D 1418 | | DWN. J.PALUMBO 12-7-57 |
| FINISH: GRAY | APM-HEXSEAL CORPORATION | CHKD. |
| | SCALE 3:1 | DWG. NO. (50154) HEXSEAL® |

THIS DRAWING COVERS PROPRIETARY ITEM AND IS THE PROPERTY OF THE APM-HEXSEAL CORPORATION. THIS DRAWING IS NOT TO BE COPIED OR USED WITHOUT THE WRITTEN APPROVAL OF AN OFFICER OF THE APM-HEXSEAL CORPORATION.