

# P26-Series

## P26-Series

### PUSHBUTTON SWITCHES

The P26-Series pushbutton switches are single pole, AC rated for 8 amps at 125 VAC and suitable for shallow back panel applications. These switches are momentary action with a medium actuation force (13 oz. typical). The P26-Series switch is equipped with a slow-make, slow-break contact mechanism.



#### Product Highlights:

- ♦ 6A 125VAC, 3A 277VAC rated
- ♦ Momentary On or Momentary Off circuitry
- ♦ 4 bushing size combinations
- ♦ Round Metal, Concave Metal and Nylon Style Actuators

#### Typical Applications:

- ♦ Intercoms
- ♦ Security System
- ♦ Electronic Signs
- ♦ Marine



### Dielectric Strength

UL/CSA: 1000V - live to dead metal parts

### Electrical Life

25,000 cycles

### Mechanical Life

100,000 cycles

### Operating Temperature

32°F to 185°F (0°C to 85°C)

**P26L** - **1D** - **BL**

<sup>1</sup>  
Base Part Number

<sup>2</sup>  
Bushing Style

<sup>3</sup>  
Button Style/Color

#### 1 BASE PART NUMBER: SERIES / POLES / CIRCUITRY / RATING / TERMINATION

Single Pole	Solder Lug	.250 Tab	Wire Leads
<b>3A 250VAC, 6A 125 VAC, 3/4A 125V</b>			
Off - (On)	<b>P26A</b>	<b>P26B</b>	<b>P26F</b>
On - (Off)	<b>P26L</b>	-	<b>P26T</b>
<b>3A 277VAC, 6A 125 VAC</b> <sup>1</sup>			
Off - (On)	<b>P267A</b>	<b>P267B</b>	<b>P267F</b>
On - (Off)	<b>P267L</b>	-	<b>P267T</b>

#### 2 BUSHING STYLE

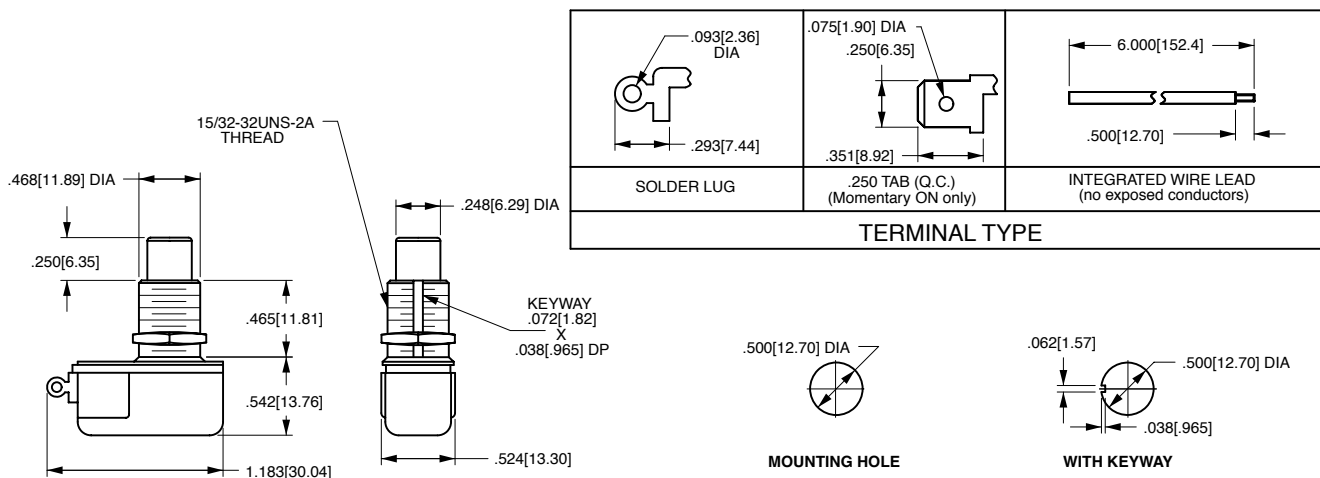
	length	diameter
<b>1A</b>	.406	.375
<b>1B</b>	.406	.468
<b>1C</b>	.465	.375
<b>1D</b> <sup>3</sup>	.465	.468

#### 3 BUTTON STYLE / COLOR

<b>BL</b>	Black Nylon
<b>RD</b>	Red Nylon
<b>RND MTL</b> <sup>2</sup>	Round Metal
<b>CON MTL</b> <sup>2</sup>	Concave Metal

Notes:

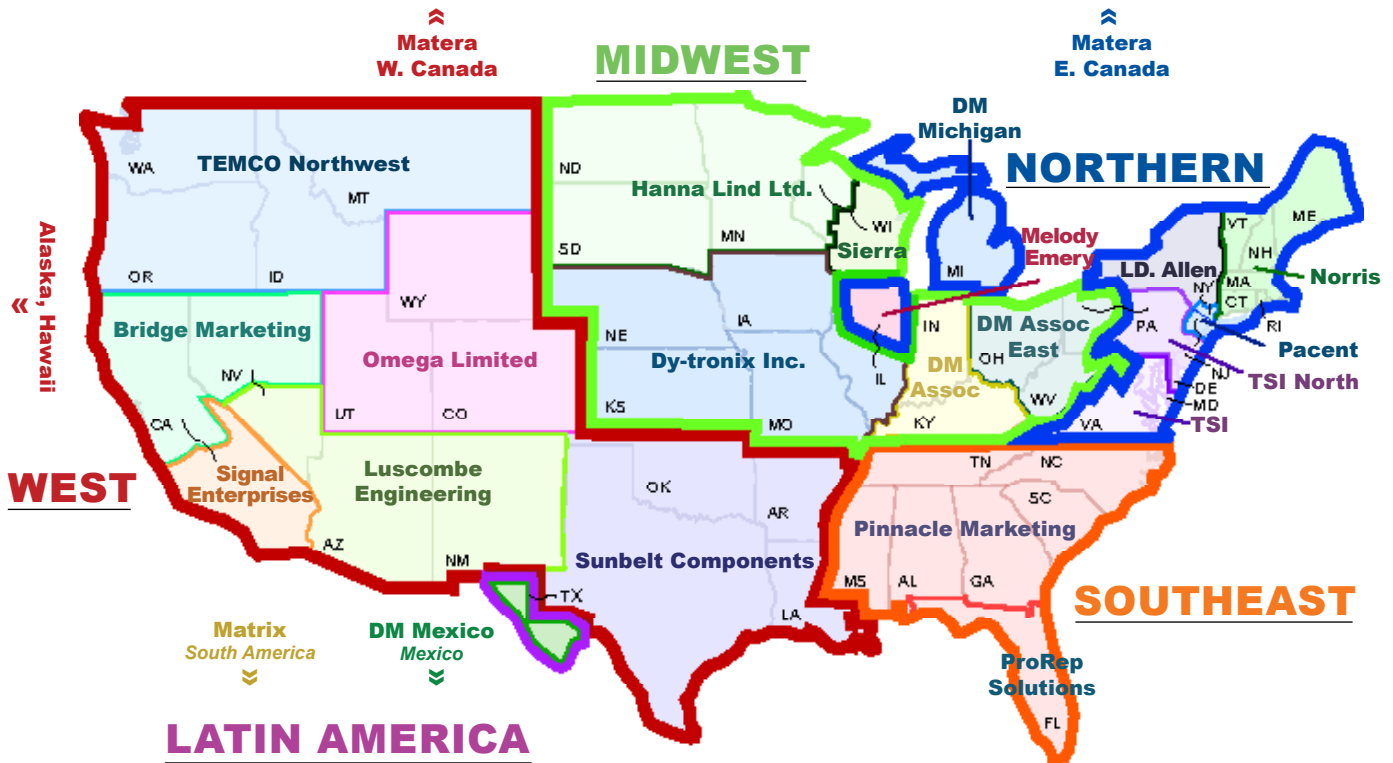
- 1 Additional ratings available. Consult factory for details
- 2 Only available with 1D bushing in .562 length
- 3 Length is .562 for RND MTL and CON MTL buttons
- () Indicates momentary function.



\*Manufacturer reserves the right to change product specification without prior notice.

## Authorized Sales Representatives

Click on the group name on the map below to find your local representative or visit [www.carlingtech.com/findarep](http://www.carlingtech.com/findarep).



## About Carling

Founded in 1920, Carling Technologies is a leading manufacturer of electrical and electronic switches and assemblies, circuit breakers, electronic controls, power distribution units, and multiplexed power distribution systems. With four ISO registered manufacturing facilities and technical sales offices worldwide, Carling Technologies Sales, Service and Engineering teams do much more than manufacture electrical components, they engineer powerful solutions! To learn more about Carling please visit [www.carlingtech.com/company-profile](http://www.carlingtech.com/company-profile).

To view all of Carling’s environmental, quality, health & safety certifications please visit [www.carlingtech.com/environmental-certifications](http://www.carlingtech.com/environmental-certifications)

## **Worldwide Headquarters**

Carling Technologies, Inc.  
60 Johnson Avenue, Plainville, CT 06062  
**Phone:** 860.793.9281 **Fax:** 860.793.9231  
**Email:** sales@carlingtech.com

**Northern Region Sales Office:** nrsm@carlingtech.com  
**Southeast Region Sales Office:** sersm@carlingtech.com  
**Midwest Region Sales Office:** mrrsm@carlingtech.com  
**West Region Sales Office:** wrsm@carlingtech.com  
**Latin America Sales Office:** larsm@carlingtech.com

## **Asia-Pacific Headquarters**

Carling Technologies, Asia-Pacific Ltd.,  
Kowloon, Hong Kong  
**Phone:** Int + 852-2737-2277 **Fax:** Int + 852-2736-9332  
**Email:** sales@carlingtech.com.hk

**Shenzhen, China:** shenzhen@carlingtech.com  
**Shanghai, China:** shanghai@carlingtech.com  
**Pune, India:** india@carlingtech.com  
**Kaohsiung, Taiwan:** taiwan@carlingtech.com  
**Yokohama, Japan:** japan@carlingtech.com

## **Europe | Middle East | Africa Headquarters**

Carling Technologies LTD  
4 Airport Business Park, Exeter Airport,  
Clyst Honiton, Exeter, Devon, EX5 2UL, UK  
**Phone:** Int + 44 1392.364422 **Fax:** Int + 44 1392.364477  
**Email:** ltd.sales@carlingtech.com

**Germany:** gmbh@carlingtech.com  
**France:** sas@carlingtech.com



**Carling Technologies™**

Innovative Designs. Powerful Solutions.