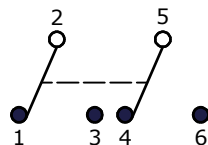
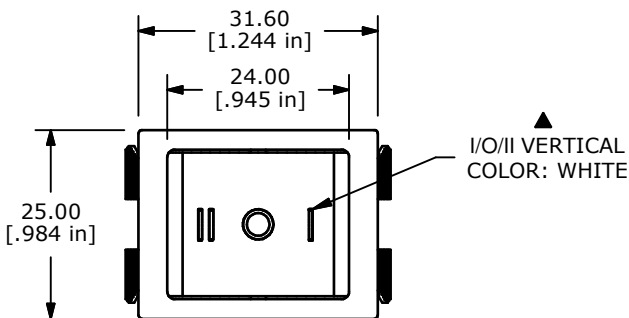


PANEL CUTOUT

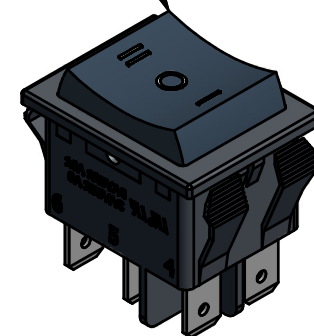
PANEL THICKNESS	(x)
0.75 - 1.25	30.0
1.25 - 2.00	30.2
2.00 - 3.00	30.5



CIRCUIT: DPDT



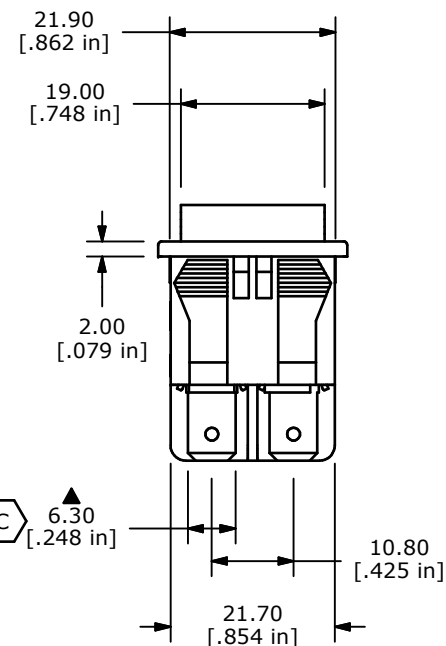
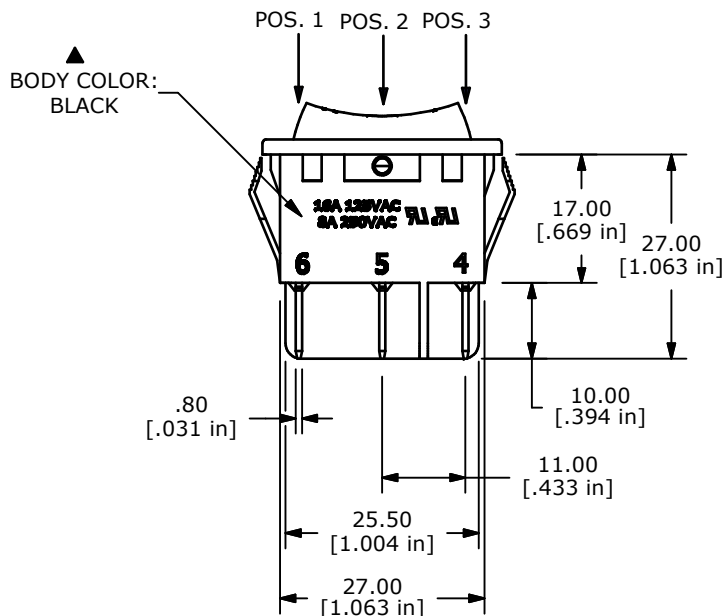
▲ BLACK ACTUATOR



SWITCH FUNCTION		
POS. 1	POS. 2	POS. 3
ON	OFF	ON
2-1, 5-4	OPEN	2-3, 5-6

NOTE:

- DIMENSIONS IN MM [INCH]
- GENERAL TOLERANCE: X.X = ± 0.4  
X.XX = ± 0.25
- TERMINAL NUMBERS FOR REF ONLY
- CONTACT MATERIAL: SILVER
- CONTACT RATINGS: 16A @ 125VAC T85 [cULus]  
8A @ 250VAC T85 [cULus]  
16(4)A 250V~ 1E4 T125/55 [ENEC]
- CONTACT RESISTANCE: 20mΩ MAX. INITIAL
- INSULATION RESISTANCE: 100MΩ MIN. @ 500VDC
- DIELECTRIC STRENGTH: 1,000VAC FOR 1 MINUTE
- ELECTRICAL LIFE: 6,000 CYCLES [cURus]
- OPERATING TEMPERATURE: -20°C TO 65°C [cURus]
- ▲ DENOTES CRITICAL PARAMETER
- 2002/95/EC (ROHS) COMPLIANT



C	21291	CORRECT TERMINAL WIDTH	11/1/13	EBP
B	21267	CORRECT BODY TEXT AND DIMS	10/10/13	EBP
A	21139	RELEASE FOR PRODUCTION	5/24/13	EBP
REV	PCR NO	DESCRIPTION	DATE	BY

THE INFORMATION CONTAINED IN THIS DOCUMENT IS PROPRIETARY TO E-SWITCH AND IS NOT TO BE COPIED OR TRANSFERRED



TITLE RB246C1129

SCALE	DATE 5/24/2013	DR EBP	DWG 38-RB246C1129	REV C
-------	-------------------	-----------	----------------------	----------