


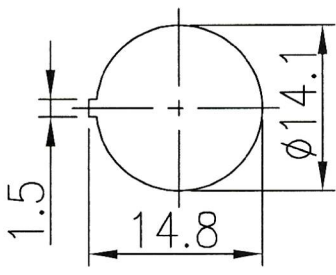
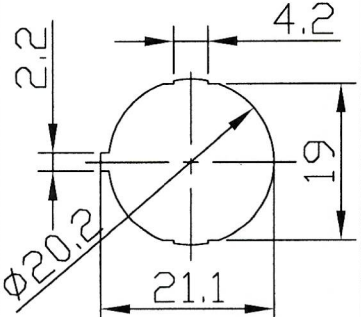
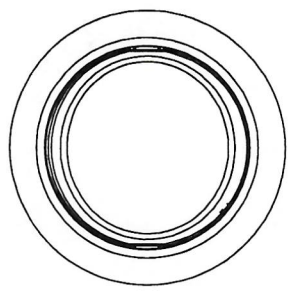
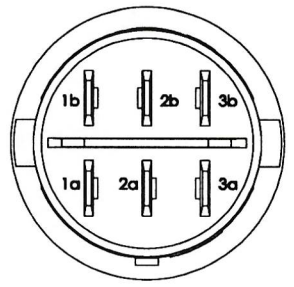
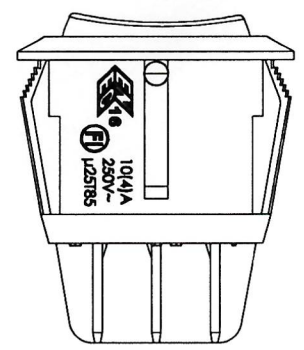
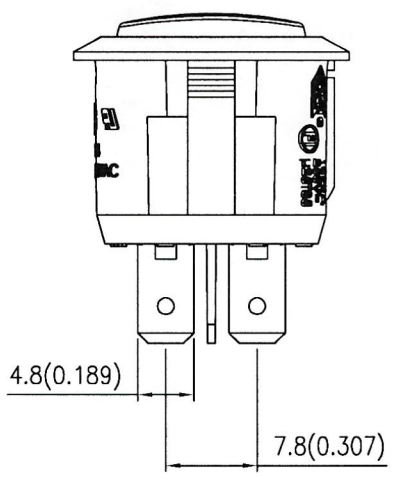
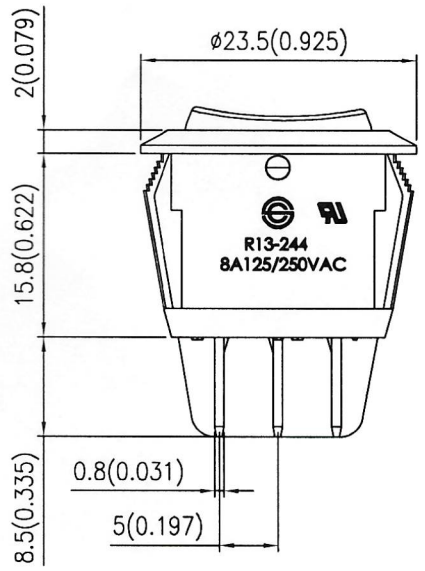
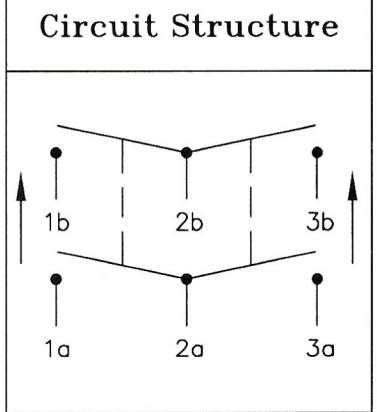


| | | | |
|---------------------|---|--|---|
| Rating | 10(4)A 250VAC   8A125/250VAC  | Mount Hole | |
| Contact R | 50m ohm Max. |  |  |
| Insulation R | DC 500V 100M ohm Min. | | |
| Dielectric Strength | AC 1500V 1 minute | | |
| Operation Tempature | -20°C~85°C | | |
| Operation Force | 900g±300g | | |
| Circuit | 6P DPDT (ON)-OFF-(ON) | Thickness: 2.0~3.0 | Thickness: 0.7~3.0 |



Material:
 Frame: Black, Nylon 66
 Actuator: Black, Nylon 66



-Recommend to use push-on terminals