

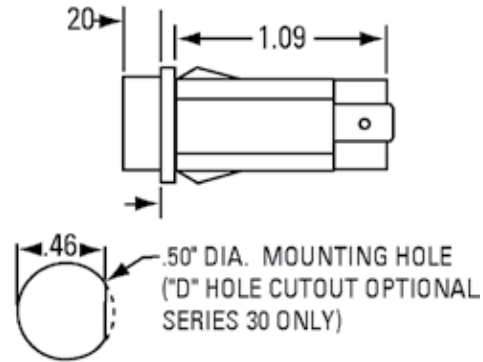
30

- Fits into 0.500" panel hole
- LED, incandescent, and neon illumination
- Many lens styles available

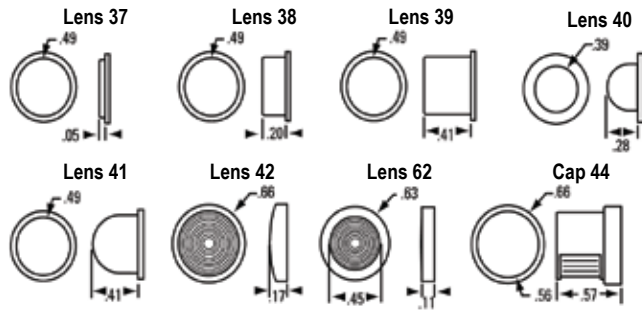
SPECIFICATIONS

Body Material:	Nylon	Panel Thickness:	0.030" to 0.0903
Lens Material:	Polycarbonate	Certifications:	See Page 1
Bezel Material:	Stainless Steel or Plated Brass		

30 with 43 lens



Series	Lamp			Termination		Base		Bezel		Lens			
XX	XX	-	X	-	X	X	-	XXX	X	0			
	Voltage	Type	Code	Style	Code	Color	Code	Finish	Code	Style	Code	Color	Plain
30	2	LED	10	.187 Tabs	3	White	1	None	0	.09 Cylinder Translucent ^{1,4}	371	Red	1
	6	LED	11	.250 Tabs	4	Black	2	Stainless	1	.09 Cylinder Diamond ⁴	373	Amber	2
	14	LED	12					Chrome	2	.09 Cylinder Rings ⁴	376	Clear ²	3
	28	LED	13					Black	3	.25 Cylinder Translucent ^{1,4}	381	Green	4
										.25 Cylinder Diamond ⁴	383	Blue	5
	6	INCAND	32							.25 Cylinder Rings ⁴	386	White	6
	14	INCAND	35							.46 Cylinder Translucent ^{1,4}	391		
	28	INCAND	39							.46 Cylinder Diamond ⁴	393	Color	Marked
										.46 Cylinder Rings ⁴	396	Red	A
	125	NEON	50							Small Dome Translucent ^{1,4}	401	Amber	B
	250	NEON	52							Small Dome Lines ⁴	405	Clear ²	C
		Special	XX							Large Dome Translucent ^{1,4}	411	Green	D
										Large Dome Rings ⁴	416	Blue	E
										Semi Dome Translucent ^{1,5}	421	White	F
										Semi Dome Rings ⁵	426		
										Flush Lens w/Tapered Bezel ^{3,4}	626		
										Cap, Black (F1C) Translucent ⁵	441		
										Cap, Black (F1C) Transparent ⁵	443		



White is Translucent
Clear is Transparent

ADDITIONAL OPTIONS AVAILABLE:

Contact Factory

1. Translucent Lens is not recommended for use with LED
2. Specify LED Color if applicable
3. Polished Bezel only use code 2
4. Bezel required
5. Bezel not available