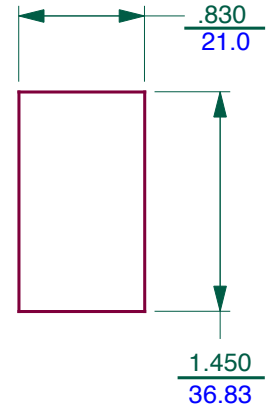
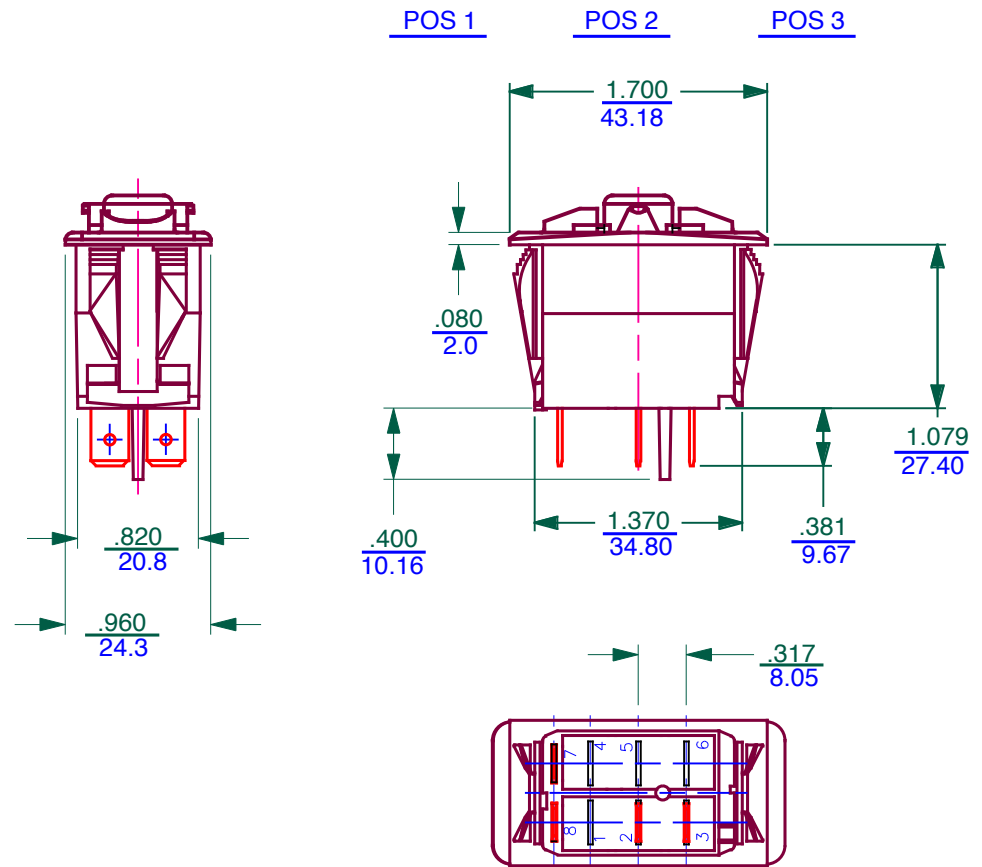


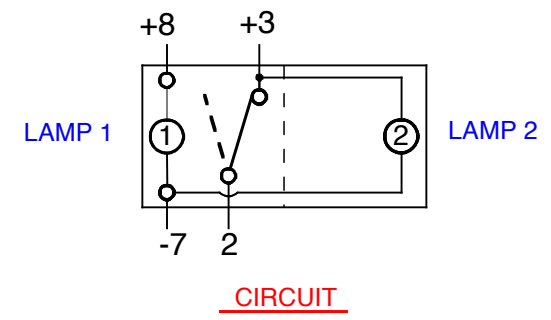
DO NOT SCALE DRAWING WORK TO FIGURE

DWG NO. V1D1GXXB-00000-000-XLU1  
REV. —



**MOUNTING HOLE**  
PANEL THICKNESS  
(SNAP - IN BRACKET)  
.030 MIN ---- .187 MAX  
.76 4.75

$\pm .003$   
X  
 $\pm .001$   
.250 X .031  
6.35 .78



LET	REVISIONS	DATE

**RATING**  
20A --- 12V

**SWITCH FUNCTION**

POS 1	POS 2	POS 3
ON 2 TO 3	NONE	OFF

**NOTES:**  
1. BRACKET IS BLACK NYLON  
2. INDEPENDENT LAMP#1 TO BE 12V BLUE LED T8 TO 7  
DEPENDENT LAMP#2 TO BE 12V BLUE LED T3 TO 7

<b>DIMENSIONS SUBJECT TO CHANGE WITHOUT NOTICE</b>		FINISH		CARLINGSWITCH, INC. PLAINVILLE, CT		
<b>PROPRIETARY NOTE:</b> NOTICE TO ALL PERSONS RECEIVING THIS DRAWING. THIS DOCUMENT IS THE PROPERTY OF CARLINGSWITCH, INC. AND IS NOT TO BE DISCLOSED. REPRODUCED IN WHOLE OR IN PART OR USED FOR MANUFACTURING PURPOSES BY ANYONE WITHOUT THE CONSENT OF CARLINGSWITCH, INC.	<b>UNSPECIFIED TOLERANCES</b> X.XXX ±.015		TOOL NO.	REV	TITLE <b>"V" SERIES SWITCH</b>	
	PROJECTIONS 		DR BY <b>KRAMARZ</b>	DATE <b>9-19-13</b>		
	DIMENSIONS IN [mm]		CHK BY	DATE	DATE	SIZE <b>B</b>
	DIMENSIONS IN [mm]		APPD BY	DATE	DATE	DWG NO. <b>V1D1GXXB-00000-000-XLU1</b>
USED ON			SCALE: <b>FULL</b>		SHT <b>1</b> OF <b>1</b>	