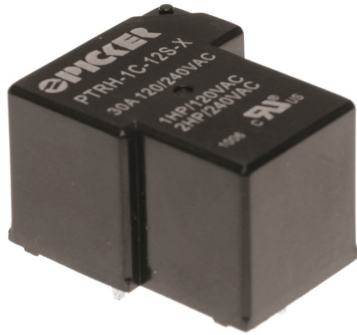


# 30 Amp Power PCB Relay

**PTRH**



## FEATURES

- Most Popular Power PCB Relay Footprint - T90
- 30 Amp 250 VAC General Purpose UL Rating
- 2 HP 250 VAC Rating
- UL Class F Insulation Available
- Meets UL 508 and UL 873 Spacing with Pin 6 Omitted
- Epoxy Sealed, Immersion Cleanable
- RoHS Compliant

Load Type	Voltage	1 Form A (SPST-NO)	1 Form B (SPDT-NC)	1 Form C (SPDT)	
				NO	NC
General Purpose	250 VAC	30 A	20 A	30 A	20 A
	30 VDC	30 A	20 A	30 A	20 A
Resistive (100,000 Cycles)	250 VAC	30 A	20 A	30 A	20 A
Motor (30,000 Cycles)	250 VAC	2 HP	—	2 HP	—
	120 VAC	1 HP	1.5 HP	1 HP	1.5 HP
LRA/FLA	240 VAC	/12 A	—	/12	30 A/10 A
	120 VAC	/16 A	—	/16	30 A/10 A

## CONTACT DATA

Material	AgCdO, AgSnO <sub>2</sub>	
Initial Contact Resistance	50 mΩ Max. @ 1 A, 6 VDC	
Maximum Switching Voltage	110 VDC, 300 VAC	
Maximum Switching Current	30 A	
Maximum Switching Power	1,500 W, 12,000 VA	
Service Life	Mechanical	1 X 10 <sup>7</sup> Operations
	Electrical	5 X 10 <sup>4</sup> Operations

With Pin 6 Omitted (-1) Meets UL 508 and UL 873 Spacing - 3.18 mm Through Air, 6.36 mm Over Surface. With Pin 6 Meets UL508

## CHARACTERISTIC

Operate Time	Less than 15 ms
Release Time	Less than 10 ms
Insulation Resistance	1,000 MΩ min, at 500 VDC, 50% RH
Dielectric Strength	50 Hz 2,500 V 1 Min Between Coil and Contacts
	4,000 V without Pin 6 50 Hz 1,500 V 1 min. Between Contacts
Shock Resistance	200 m/s, 11 ms
Vibration Resistance	10 - 55 Hz Double Amplitude
Power Consumption	0.9 W Standard, 0.6 W & 1.1 W Optional

## CHARACTERISTIC Continue

Terminal Strength	10N
Solderability	235 °C for 3 secs
Operating Temperature Range	-40°C to 100°C Class B
Operating Temperature Range	-40°C to 125°C Class F
Storage Temperature Range	-40°C to 155°C
Relative Humidity	85% (at 40°C)
Weight	30 grams, 27 grams Open Frame
Material Compliant To	EU RoHS V2, EU REACH V3

## ORDERING INFORMATION

Example: PTRH -1C -12 S -1 -X

Model: PTRH

Contact Form: 1A, 1B, 1C

Coil Voltage: 3, 5, 6, 9, 12, 15, 24, 28, 48, 110

Enclosure: Nil: Open Frame; S: Sealed; E: Covered C: Dust Cover

Coil Sensitivity: Nil: 0.9 W; 0.6: 0.6 W; 1.1: 1.1 W

Contact Material: Nil: AgCdO; T: AgSnO<sub>2</sub>

Spacing: Nil: UL508; -1: UL 508 and UL 873 (Pin #6 Omitted)

RoHS Compliant: -X

Box Quantity: 600; Inner Box 300

**COIL DATA**

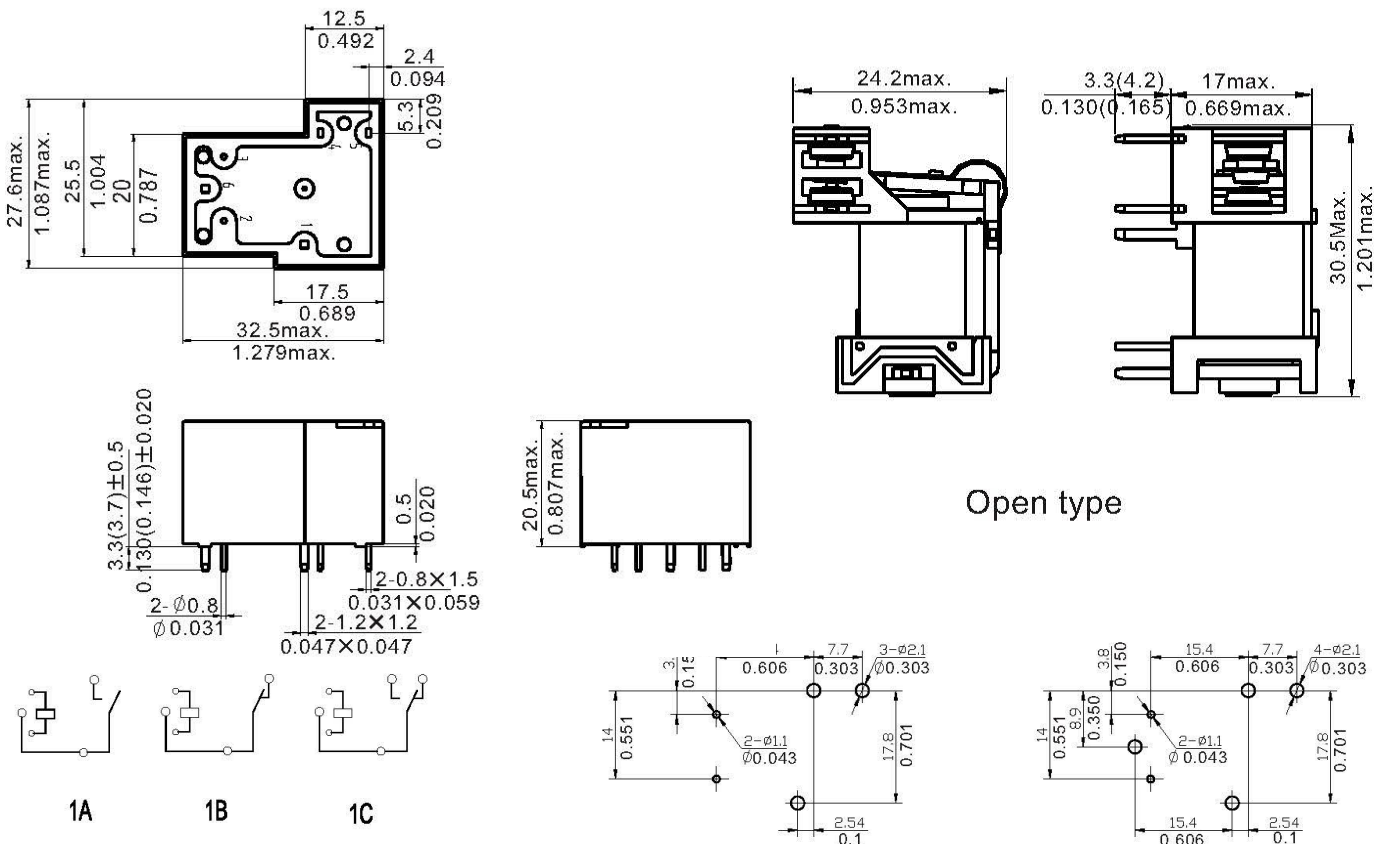
Coil Voltage		Coil Power (W)			Coil Power (W)		Must Release Voltage Min (VDC)
Rated	Max	Resistance (Ohms ± 10%)			Must Operate Voltage Max (VDC)		
		0.6 W	0.9 W	1.1 W	0.6 W & 0.9 W	1.1 W	
3	3.9	15	10	—	2.25	—	0.3
5	6.5	42	28	—	3.75	—	0.5
6	7.8	60	40	33	4.50	4.8	0.6
9	11.7	135	90	—	6.75	—	0.9
12	15.6	240	150	131	9.00	9.6	1.2
15	19.5	375	260	—	10.25	—	1.5
18	23.4	540	380	—	13.50	—	1.8
24	31.2	960	640	524	18.00	19.2	2.4
28	36.4	1307	871	713	21.0	22.4	2.8
48	62.4	3840	2560	2095	36.00	38.4	4.8
110	143	20167	13445	—	82.50	—	11.0

**NOTES:**

The use of any coil voltage less than the rated voltage will compromise the operation of the relays. Must Operate Voltage is listed for test purposes only and is not to be used as design criteria. Pickup and release voltages are for test purposes only and are not to be used as design criteria. Dimensions are in mm, Inches are listed for reference only.

**DIMENSIONS (mm/inches)**

Knock off, on top corner, nib for ventilation after soldering and water wash.



Open type

Available with Pin 6 UL508 or Without Pin 6 UL873 (-1)



3220 Commander Drive, Suite 102 Carrollton, TX 75006  
 Sales: (972) 713-6272 (888) 997-3933 Fax: (972)735-0964

www.PickerComponents.com  
 e-mail: sales@pickercomponents.com