



Specifications

Electrical Ratings	1A @ 24VDC 1A @ 125VAC 0.5A @ 250VAC
Sealing Degree	IP 40 or IP65
Electrical Life	30,000 cycles typical
Contact Resistance	≤ 50mΩ initial

Actuation Force	200 ±50gF
Actuation Travel	2.5 ± .3mm
Dielectric Strength	1000Vrms min contact to contact 1500Vrms min contact to LED
Insulation Resistance	≥ 100MΩ min
Operating Temperature	-25°C to 70°C
Storage Temperature	-25°C to 70°C

Materials

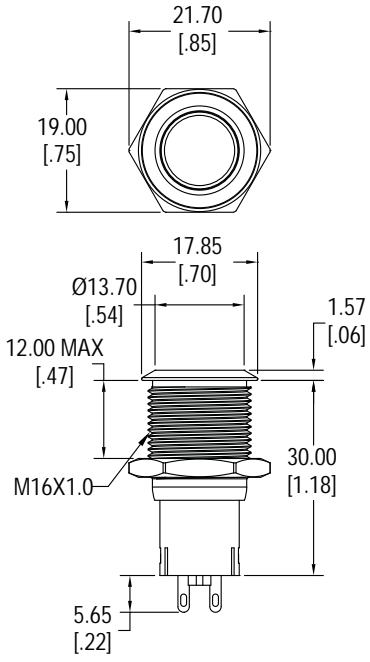
Actuator & Body	Brass, Nickel Plated, Stainless Steel, Black Anodized Aluminum
LED Lens	Polycarbonate (PC)
Nut	Nickel Plated Brass
Terminal Support	Polybutylene Terephthalate (PBT)
Inner Switch Body	Polycarbonate (PC)
Contacts	Silver Alloy
Terminals	Tin Plated Brass

Ordering Information

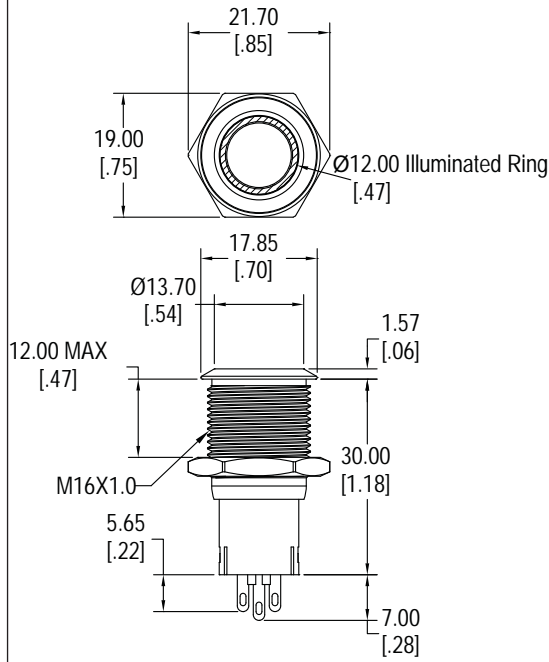
1. Series	CH	2	L	B	N	R	B	12
CH								
2. Number of Poles								
1 = SPDT								
2 = DPDT								
3. Latching Option								
N = Momentary								
L = Latching								
4. Actuator Style:								
A = Flush, non-illuminated								
B = Flush, ring illuminated								
C = Flush, dot illuminated								
D = Raised, non-illuminated								
E = Raised, ring illuminated								
F = Raised, dot illuminated								
G = Flush, universal standby symbol illuminated								
H = Raised, universal standby symbol illuminated								
5. Switch Finish								
S = Stainless Steel								
N = Nickel Plated								
B = Black Anodized Aluminum								
6. First LED Color								
Blank = No LED								
R = Red								
Y = Yellow								
G = Green								
B = Blue								
W = White**								
O = Orange								
7. Second LED Color **For bi-color LED option, White not available								
Blank = No LED								
R = Red								
Y = Yellow								
G = Green								
B = Blue								
O = Orange								
8. LED Voltage								
Blank = No LED								
6 = 6VDC								
12 = 12VDC								
24 = 24VDC								
110 = 110VAC								
220 = 220VAC								
N = No internal resistor in series with the LED								
9. Sealing Options								
Blank = IP40, standard								
S = IP65								

Illuminated Pushbutton - 16mm

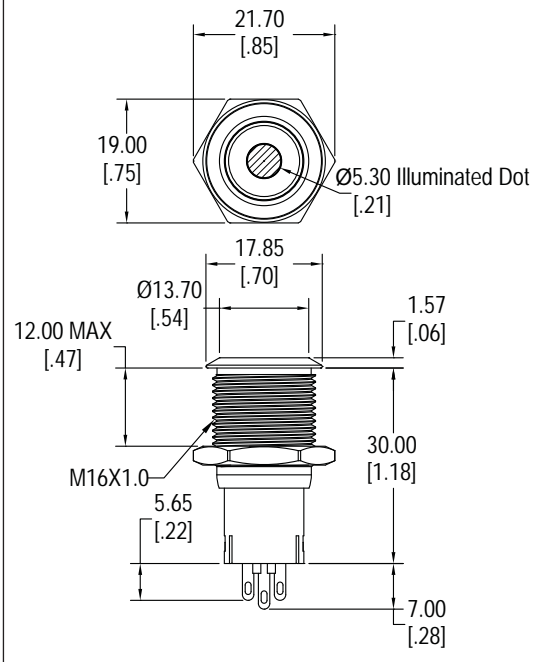
Dimensions



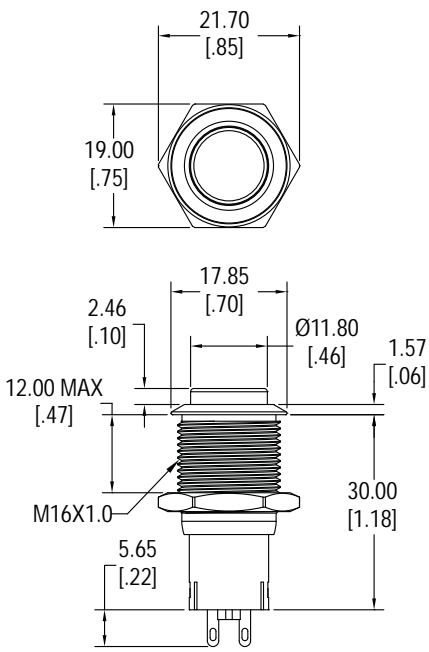
A



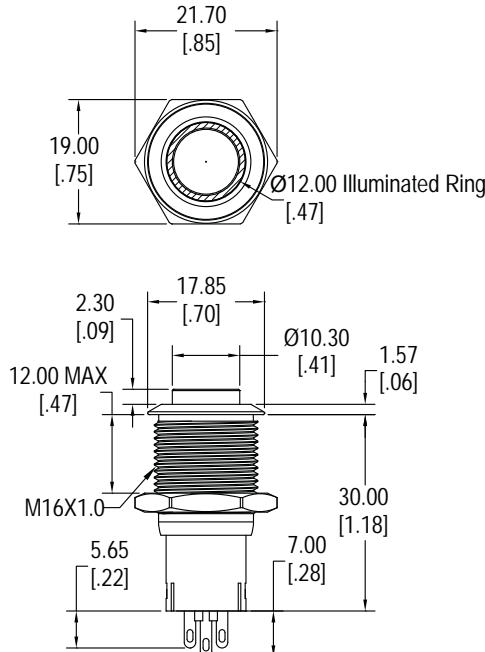
B



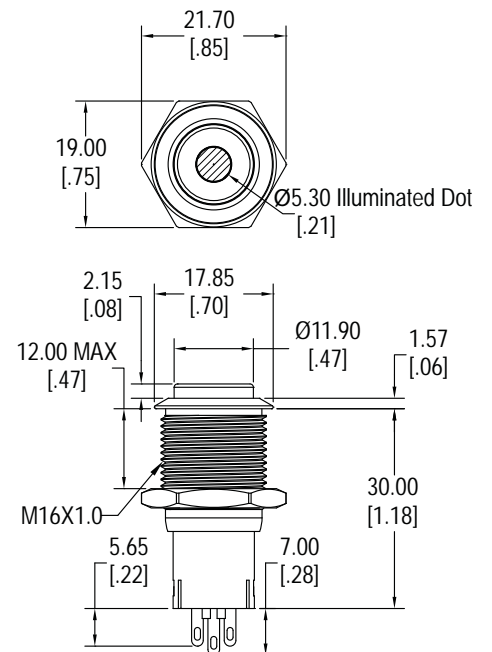
C



D

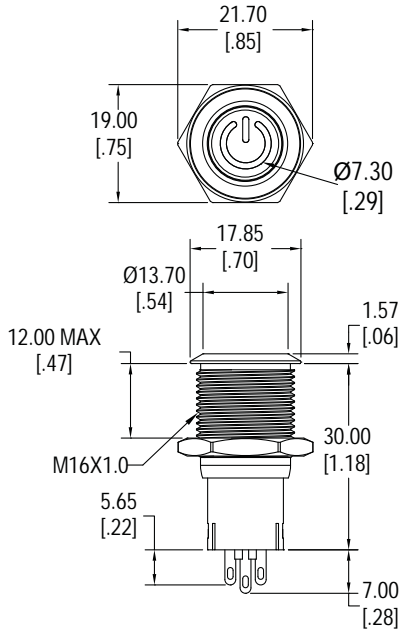


E

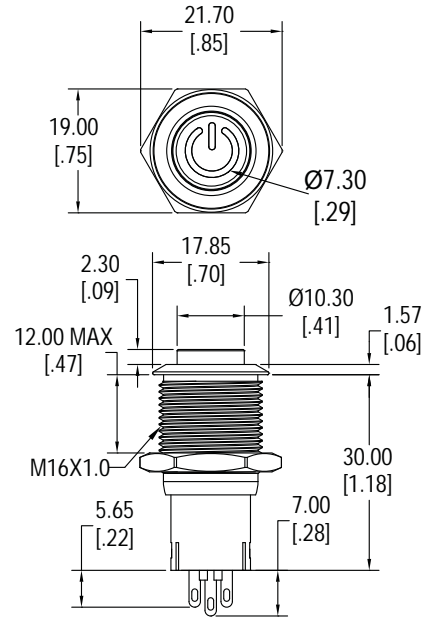


F

Dimensions

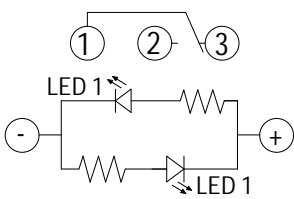


G

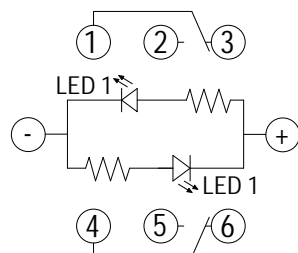


H

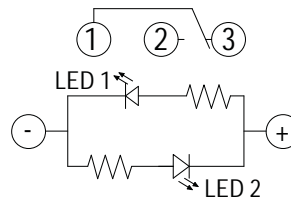
Schematics



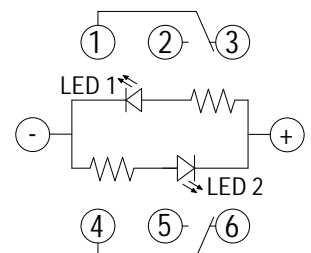
SPDT



DPDT



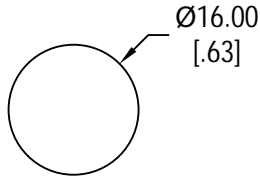
SPDT Dual LED



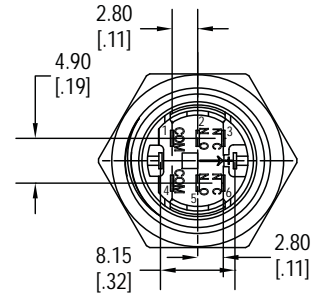
DPDT Dual LED

Illuminated Pushbutton - 16mm

Panel Cut-Out



Bottom View



LED Characteristics

LED Ratings		Color							Units
		R	Y	G	B	O	W		
Reverse Voltage	V_R	5	5	5	5	5	5	5	V
Forward Current (avg)	I_F	25	25	30	30	25	30	30	mA
Forward Current (peak)	I_{FS}	120	120	160	160	120	160	160	mA
Reverse Current $V_R = 5V$	I_R	10	10	10	10	10	10	10	μA
Power Dissipation	P_T	80	80	120	120	80	120	120	mW
Operating & Storage Temperature	T_A	-25 ~ +70							C°
Forward Voltage (typ) $I_F = 20mA$	V_F	2.1	2.1	3.3	3.3	2.0	3.0	3.0	V
Forward Voltage (max) $I_F = 20mA$	V_F	2.4	2.5	3.6	3.6	2.3	3.6	3.6	V
Wavelength at Peak Emission $I_F = 20mA$	λ_P	635	592	516	463	606	n/a	n/a	nm
Spectral Line Half-Width $I_F = 20mA$	$\Delta\lambda$	14	12	28	20	12	n/a	n/a	nm
Luminous Intensity, $I_F = 20mA$	LI	120	120	170	100	120	700	700	mcd
Viewing Angle	Θ	145	145	145	145	145	145	145	deg