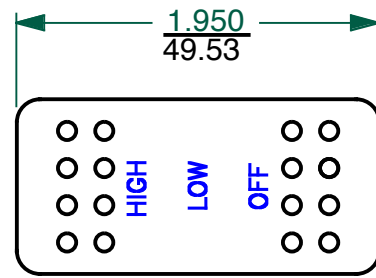
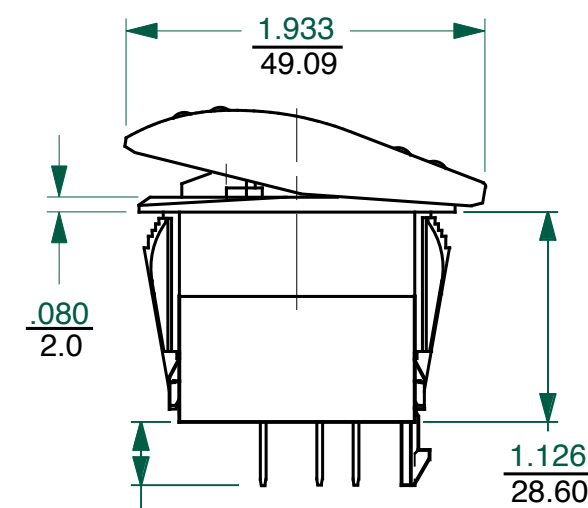
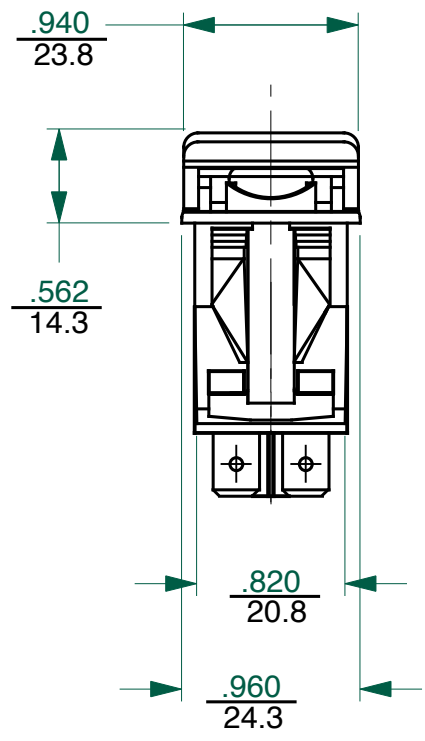


DO NOT SCALE DRAWING WORK TO FIGURES

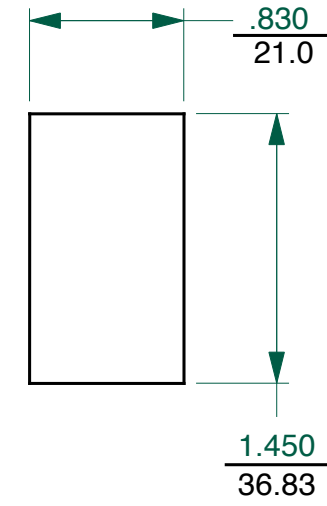
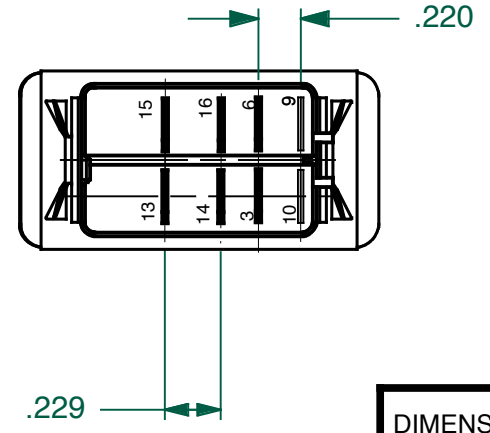
DWG NO. JHA2Z00C-AZCXX-100-XHLF1  
REV. \_\_\_\_\_



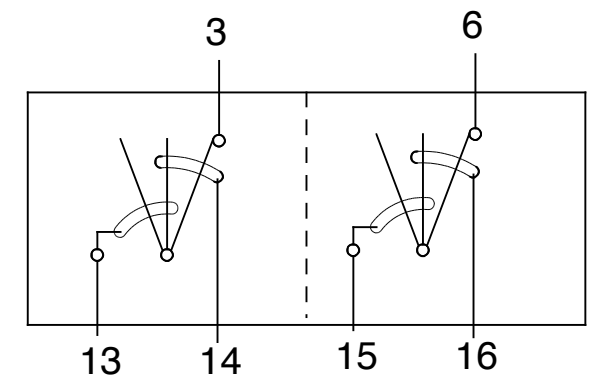
POS 1      POS 2      POS 3



$\pm .003$   
.250 X  $\pm .001$   
6.35      .78



**MOUNTING HOLE**  
PANEL THICKNESS  
(SNAP - IN BRACKET)  
.030 MIN ---- .187 MAX  
.76      4.75



CIRCUIT

LET	REVISIONS	DATE
-----	-----------	------

RATING  
10A ---- 12V

SWITCH FUNCTION

POS 1	POS 2	POS 3
ON	ON	OFF
3 TO 14	13 TO 14	
6 TO 16	15 TO 16	

NOTES:  
1. BRACKET AND ROCKER ARE BLACK NYLON

DIMENSIONS SUBJECT TO CHANGE WITHOUT NOTICE		FINISH		Carling Technologies	
UNSPECIFIED TOLERANCES X.XXX ±.015		TOOL NO.	REV	TITLE J SERIES ROCKER	
PROJECTIONS 		DR BY P KRAMARZ	DATE 5-23-14	SIZE B	DWG NO. JHA2Z00C-AZCXX-100-XHLF1
DIMENSIONS IN [mm]		CHK BY	DATE	USED ON	SCALE: FULL
		APPD BY	DATE	SHT 1	OF 1