
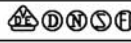
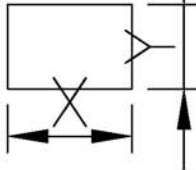
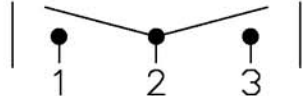
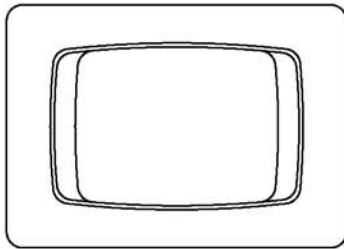


Rating	16A 125VAC 1/3HP 10A 250VAC 1/2HP		Mount Hole	Circuit Structure										
	10A 125V,6A 250V AC													
Contact R	50m ohm Max													
Insulation R	DC 500V 100M ohm Min.													
Dielectric Strength	AC 1500V 1 minute													
Operation Temperature	-20°C~+85°C	<table border="1"> <tr> <th>Thickness</th> <th>X</th> <th>Y</th> </tr> <tr> <td>0.75...1.25</td> <td>19.2-0.1</td> <td>13+0.1</td> </tr> <tr> <td>1.25...2</td> <td>19.4-0.1</td> <td>13+0.1</td> </tr> <tr> <td>2...3</td> <td>19.8-0.1</td> <td>13+0.1</td> </tr> </table>			Thickness	X	Y	0.75...1.25	19.2-0.1	13+0.1	1.25...2	19.4-0.1	13+0.1	2...3
Thickness	X	Y												
0.75...1.25	19.2-0.1	13+0.1												
1.25...2	19.4-0.1	13+0.1												
2...3	19.8-0.1	13+0.1												
Circuit	3P SPDT (ON)-OFF-(ON)													

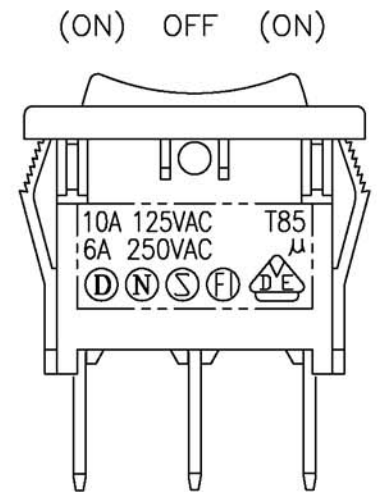
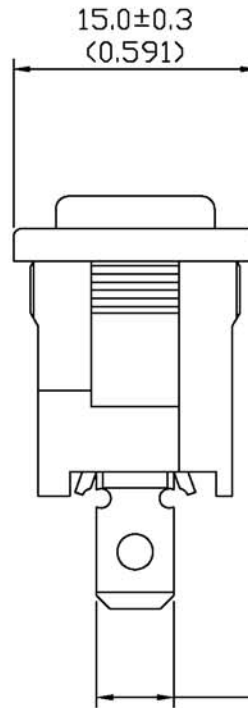
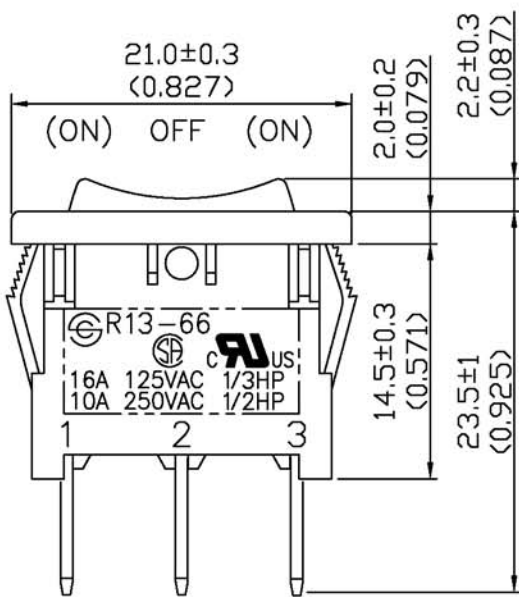


MATERIAL:

Frame: Nylon 66, Black

Actuator: Nylon 66, Black

Printed: None



Unit	mm (inch)	Spemco P/N	SPMR95	REV.	1	WWW.SPEMCO.COM
------	--------------	------------	--------	------	---	--