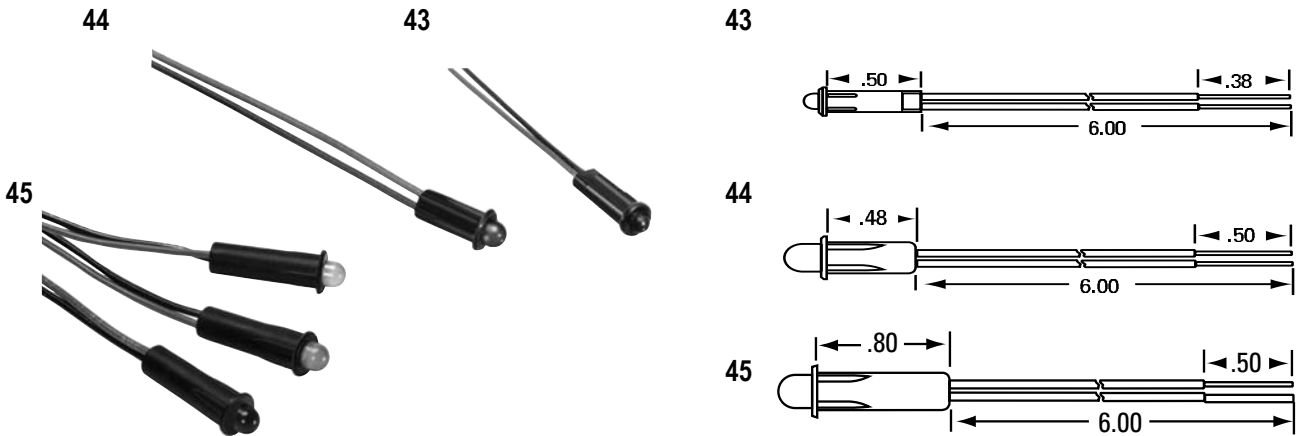


# 43, 44, 45

- Series 43 - 3mm size LED
- Series 44 & 45 - 5mm size LED
- Press fit

## SPECIFICATIONS

Body Material: Nylon  
 Wire Gauge: Series 43 - 26 ga., 3/8" strip  
 Series 44/45 - 24 ga., 1/2" strip  
 Certifications: See Page 1



Series		Lamp		Termination		Base		Bezel		Lens			
XX		XX		X		X		X		XXX		X 0	
	Voltage	Type	Code	Style	Code	Color	Code	Finish	Code	Style	Code	Color	Code
43	2	LED	10	6" Wire	1	Black	2	N/A	0	Diffused <sup>2</sup>	010	Red	1
44	6	LED <sup>1</sup>	11	Special	X					Color Clear <sup>2</sup>	030	Amber	2
45	14	LED <sup>1</sup>	12							Water Clear <sup>2</sup>	050	Green	4
	28	LED <sup>1</sup>	13									Blue	5 <sup>4</sup>
	125	LED <sup>1,3</sup>	15									White	6
	250	LED <sup>1,3</sup>	16									Yellow	8
		Special	XX										

43 Series Mounting hole 0.173" dia  
 44 & 45 Series Mounting hole 0.250" dia

### ADDITIONAL OPTIONS AVAILABLE:

Contact Factory

1. For voltages greater than 2V the appropriate external resistor will be provided in the lead.
2. Subject to availability.
3. Not available on Series 43.
4. Water clear blue only