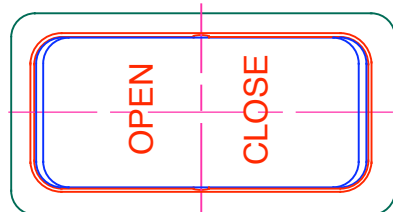
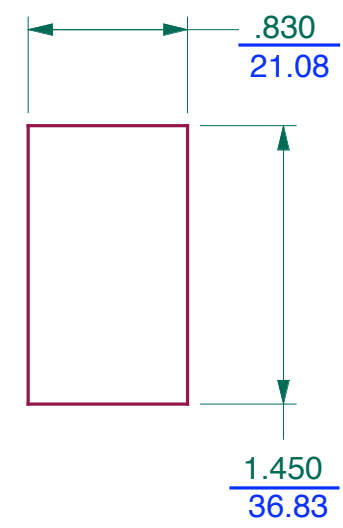
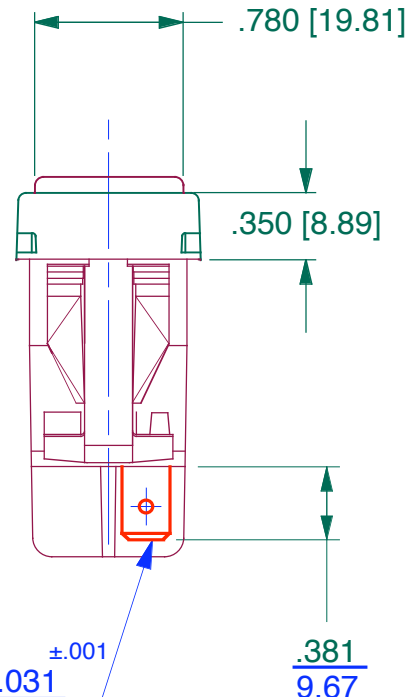
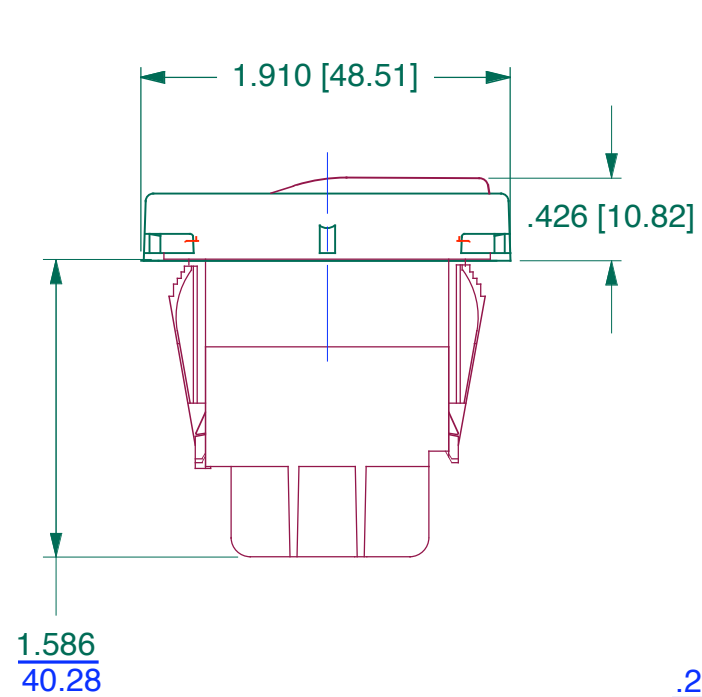
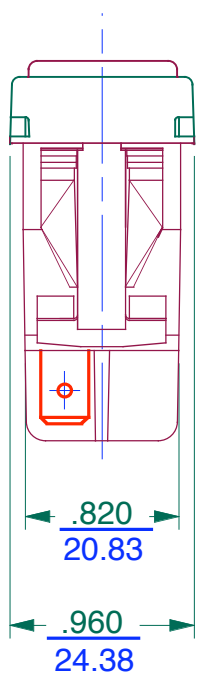


DO NOT SCALE DRAWING WORK TO FIGURES

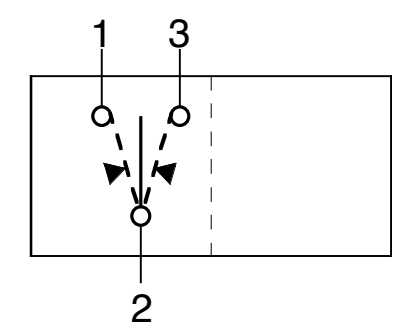
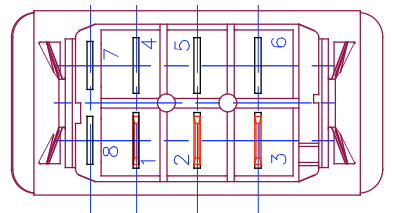
DWG NO. V8DAS001-6ZZXX-1XX-XPC1  
REV. 01



POS 1      POS 2      POS 3



MOUNTING HOLE  
PANEL THICKNESS  
(SNAP - IN BRACKET)  
.030 MIN ---- .187 MAX  
.76                      4.75



CIRCUIT DIAGRAM

LET	REVISIONS	DATE
01	RELEASED	7-18-11

RATING:

20A      12V

SWITCH FUNCTION

POS 1 (ON)	POS 2 OFF	POS 3 (ON)
2 TO 3		1 TO 2

NOTES:

1. BRACKET AND ROCKER ARE BLACK NYLON

DIMENSIONS SUBJECT TO CHANGE WITHOUT NOTICE

FINISH



**PROPRIETARY NOTE:**  
NOTICE TO ALL PERSONS RECEIVING THIS DRAWING. THIS DOCUMENT IS THE PROPERTY OF CARLING TECHNOLOGIES, INC. AND IS NOT TO BE DISCLOSED, REPRODUCED IN WHOLE OR IN PART OR USED FOR MANUFACTURING PURPOSES BY ANYONE WITHOUT THE CONSENT OF CARLING TECHNOLOGIES, INC.

UNSPECIFIED TOLERANCES  
X.XXX ±.015

PROJECTIONS  
 DIMENSIONS IN [mm]

TOOL NO.	
DR BY <b>P.KRAMARZ</b>	DATE <b>7-18-11</b>
CHK BY	DATE
APPD BY	DATE

TITLE <b>"V" SERIES ROCKER</b>	
SIZE <b>B</b>	DWG NO. <b>V8DAS001-6ZZXX-1XX-XPC1</b>
USED ON	REV. <b>01</b>
SCALE: <b>FULL</b>	SHT <b>1</b> OF <b>1</b>